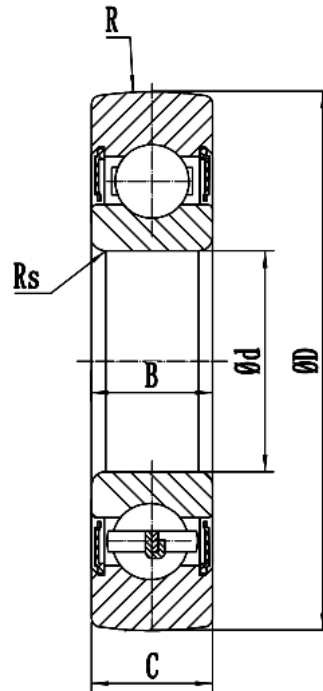


## Single Row LR Series



select	Inquiry	Bearing No.	d(mm)	D(mm)	B(mm)	Dynamic Load Rating(KN)	Static Load Rating(KN)	Speed Limit(r/min) (Grease)	Weight(kg)
	LR200	NPPU	10	32	9	5.1	2.37	14000	0.045
	LR201	NPPU	12	35	10	6.8	3.05	16000	0.05
	LR202	NPPU	15	40	11	7.6	3.70	14000	0.07
	LR203	NPPU	17	47	12	9.6	4.75	11000	0.11
	LR204	NPPU	20	52	14	12.8	6.60	10000	0.15
	LR205	NPPU	25	62	15	14	7.80	9000	0.23
	LR206	NPPU	30	72	16	19.5	11.30	7100	0.33
	LR207	NPPU	35	80	17	25.5	15.30	5600	0.4
	LR208	NPPU	40	85	18	32.5	19.80	5000	0.45
	LR209	NPPU	45	90	19	32.5	20.40	4500	0.5

Single Row LR Series

LR50/5 NPPU	5	17	7	1.81	0.95	23500	0.01
LR50/6 NPPU	6	19	9	3.1	1.4	22500	0.015
LR50/7 NPPU	7	22	10	3.65	1.7	21000	0.02
LR50/8 NPPU	8	24	11	5.2	2.61	20000	0.025
LR5000 NPPU	10	28	12	5.7	3.25	18500	0.03
LR5001 NPPU	12	30	12	6.2	3.75	17500	0.04
LR5002 NPPU	15	35	13	8.6	5.4	14500	0.05
LR5003 NPPU	17	40	14	9.2	6.2	12500	0.07
LR5004 NPPU	20	47	16	14.5	9.6	11000	0.12
LR5005 NPPU	25	52	16	15.5	11.1	9500	0.15
LR5006 NPPU	30	62	19	20.3	15.6	8000	0.25
LR5007 NPPU	35	68	20	24.5	21.4	6600	0.3